

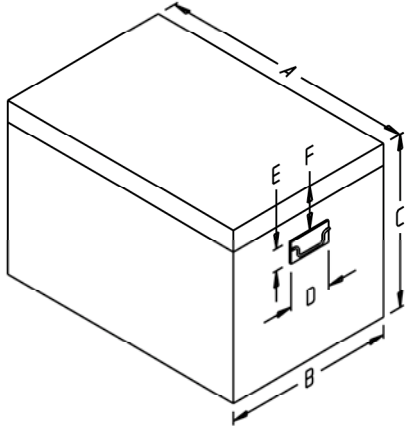


856.829.8460
www.TheClothesHorse.com

2200 Wallace Boulevard, Suite A
Cinnaminson, NJ 08077

How to Measure Boxes

Trunks and Most Boxes



Trunk 1

A: _____
B: _____
C: _____
D: _____
E: _____
F: _____

Trunk 2

A: _____
B: _____
C: _____
D: _____
E: _____
F: _____

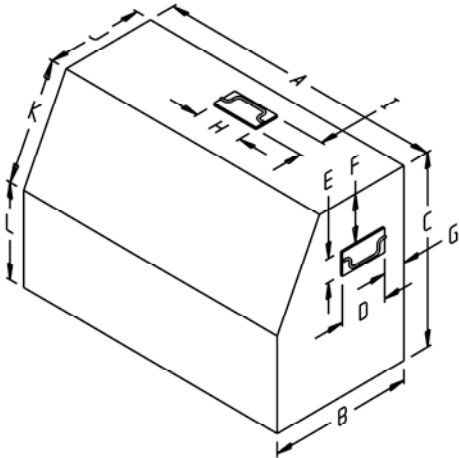
Trunk 3

A: _____
B: _____
C: _____
D: _____
E: _____
F: _____

D: Side Handle - Long dimension of hardware
E: Side Handle - Short dimension of hardware
F: Side Handle - Top of handle to top of box

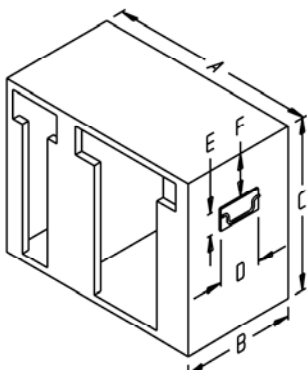
Slant Top Grooming Box

* Please provide all measurements that apply



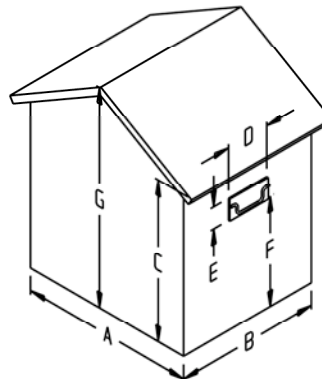
A: _____ Box - Left side to right side of box
B: _____ Box - Front to back of box
C: _____ Box - Top to bottom of box
D: _____ Side Handle - Long dimension of hardware
E: _____ Side Handle - Short dimension of hardware
F: _____ Side Handle - Top of handle to top of box
G: _____ Side Handle - Side of handle to back of box
H: _____ Top Handle - Long dimension of hardware
I: _____ Top Handle - Short dimension of hardware
J: _____ Box - Top Panel
K: _____ Box - Slant Panel
L: _____ Box - Front Panel

Bandage Box



A: _____
B: _____
C: _____
D: _____
E: _____
F: _____

Peaked Top Wall Box



A: _____
B: _____
C: _____
D: _____
E: _____
F: _____
G: _____